

PHILIPS SERVICE

BX 192 U

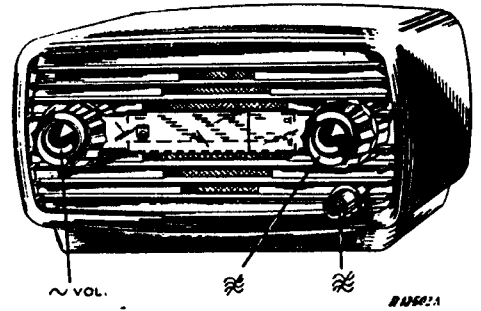
185—590 m (1622—508 kc/s)
750—2206 m (400—136 kc/s)

9730 X Z = 5Ω

120 V

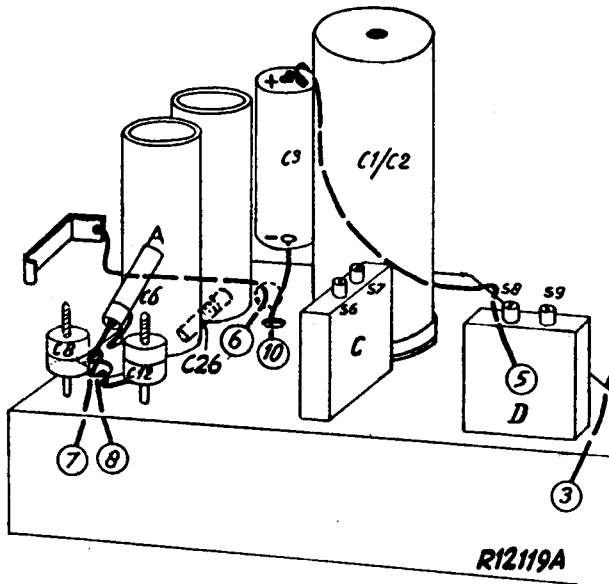
452 kc/s

37 W



185—590 m	185—590 m	750—2206 m
VOL max S2, S3 min 452 kc/s-33000 pF-g1B1 S9, S8, S6, S7 max	VOL max S2, S3 max 508 kc/s— Y C12 max 1580 kc/s— Y S2, S3 1580 kc/s C8 max	VOL max 170 kc/s— Y S2, S3 170 kc/s C 26max

1950



R1	1000 Ω	48 467 10/1K	C1	50 μF	
R2	180 Ω	49 364 73.0	C2	50 μF	49 020 69.0
R3	950 Ω		C3	100 μF	
R4	22000 Ω	48 555 10/22K	C4	33000 pF	48 752 10/33K
R5	12000 Ω	48 427 10/12K	C5	33 pF	48 223 20/33E
R6	1,5 MΩ	48 555 10/1M5	C6	56 pF	48 203 02/56E
R7	15000 Ω	48 555 10/15K	C7	47000 pF	48 750 10/47K
R8	0,45 MΩ		C8	30 pF	28 212 36.4
R9	0,05 MΩ	49 500 34.0	C9	820 pF	48 203 05/820E
R11	10 MΩ	48 555 10/10M	C10	680 pF	48 203 20/680E
R12	0,22 MΩ	48 555 10/220K	C10a	275 pF	49 005 53.2
R13	0,68 MΩ	48 555 10/680K	C11	47 pF	48 203 20/47E
R14	100 Ω	48 426 10/100E	C12	30 pF	28 212 36.4
R15	1 MΩ	48 555 10/1M	C13	60 pF	—
R16	0,33 MΩ	48 555 10/330K	C14	0,1 μF	48 751 10/100K
R17	56000 Ω	48 555 10/56K	C15	100 pF	
			C16	100 pF	
			C17	100 pF	
			C18	100 pF	
			C19	100 pF	48 203 20/100E
			C20	10000 pF	48 750 10/10K
			C21	2200 pF	48 751 10/2K2
			C22	10000 pF	48 751 10/10K
			C23	4700 pF	48 757 20/4K7
			C24	82 pF	48 203 10/82E
			C25	100 pF	48 203 20/100E
			C26	275 pF	49 005 53.2
			C27	102 pF	—
			C28	100 pF	48 203 02/100E

	B1	B2	B3	B4	
	UCH 41	UAF 42	UBC 41	UL 41	
Va	H 110 T 50	110	55	115	V
Vg2(4)	50	50		110	V
Ia	H 1,3 T 3,9	3,8	0,3	40	mA
Ig2(4)	2	1,3		8	mA

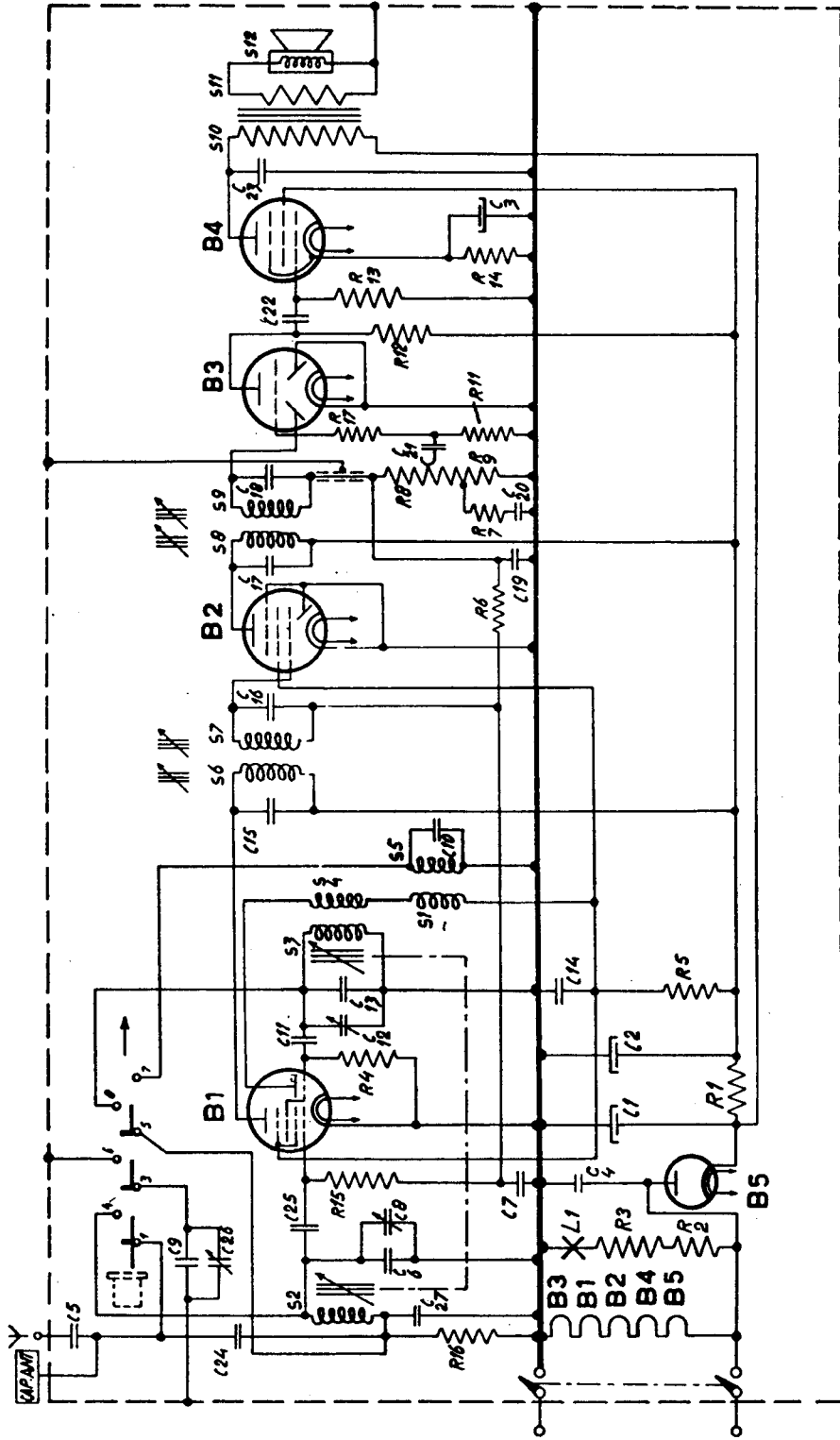
S2, S3, S4, } C27, C13 } S1, S5 S6, S7, C15, C16 S8, S9, C17, C18 S10, S11	A3 420 84.1 A3 112 28.0 A3 124 25.4 A3 124 25.4 A3 169 20.0		
L1	8097D-00		

VC1 = 130, VC2 = 110 V

It = 300 mA

93 953 34.1

BX 192 U



R 12114A

